

U.L. SPECIFICATION Nr. 248  
 CSA. SPECIFICATION C22.2 Nr. 248

4	---		Filler Silica Sand Size 20--40 mesh
3	---		Silver 1000 Element
2	1		Fiber Glass Tube
1	2		Copper Silver Platea
Ref.	Qty.	Draw Nr.	Material

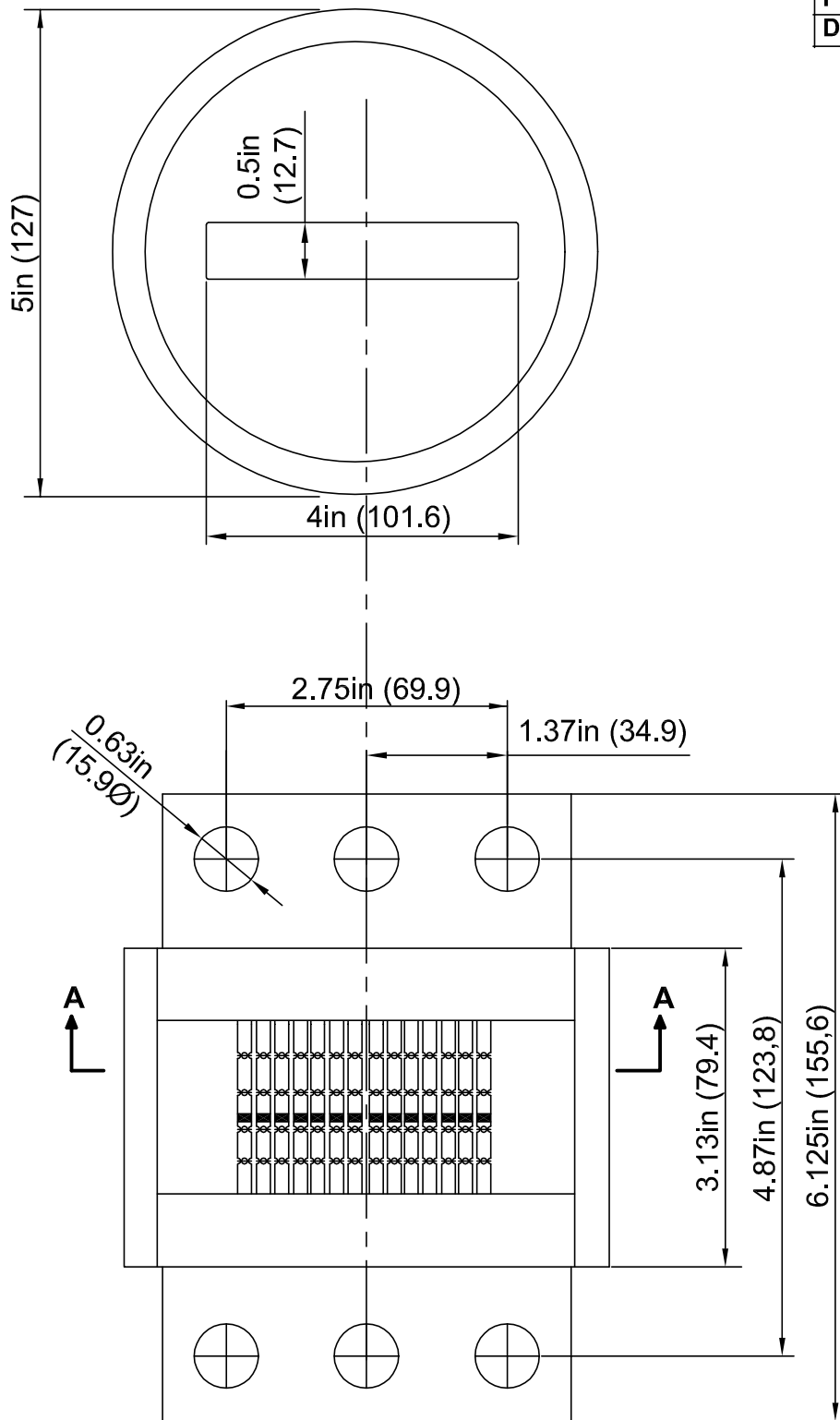


Industria e Comercio Ltda.

Name	Date	Rv.	PROJ. Nr. 5216/1-3
Proj. Hermann	march/15	Pg. 1	
Draw. Saulo	march/15	Seq. --	

Scale N/S	Title: FUSE FOR NETWORK PROTECTOR HRC-L, FAST - ACTING, 800, 1200, 1600, 1825, 2000A, 600V, 200KA	Traw. Nr. NP-01	Pg. 1 Seq. --
--------------	---	--------------------	------------------

Notes:  
 This Fuses may employ different terminal designs according to its end use requirements and applications.



U.L. SPECIFICATION Nr. 248  
 CSA. SPECIFICATION C22.2 Nr. 248

Notes:

This Fuses may employ different terminal designs according to its end use requirements and applications.

4	---		Filler Silica Sand Size 20--40 mesh
3	---		Silver 1000 Element
2	1		Fiber Glass Tube
1	2		Copper Silver Platea
Ref.	Qty.	Draw Nr.	Material



Industria e Comercio Ltda.

Name	Date	Rv.	PROJ. Nr. 5216/4-5
Proj. Hermann	march/15	Pg. 1	
Draw Saulo	march/15	Seq. --	
Scale N/S	Title: FUSE FOR NETWORK PROTECTOR HRC-L FAST - ACTING, 2500, 2825, 3000A, 600V, 200KA	Traw. Nr. NP- 01	Pg. 1 Seq. --